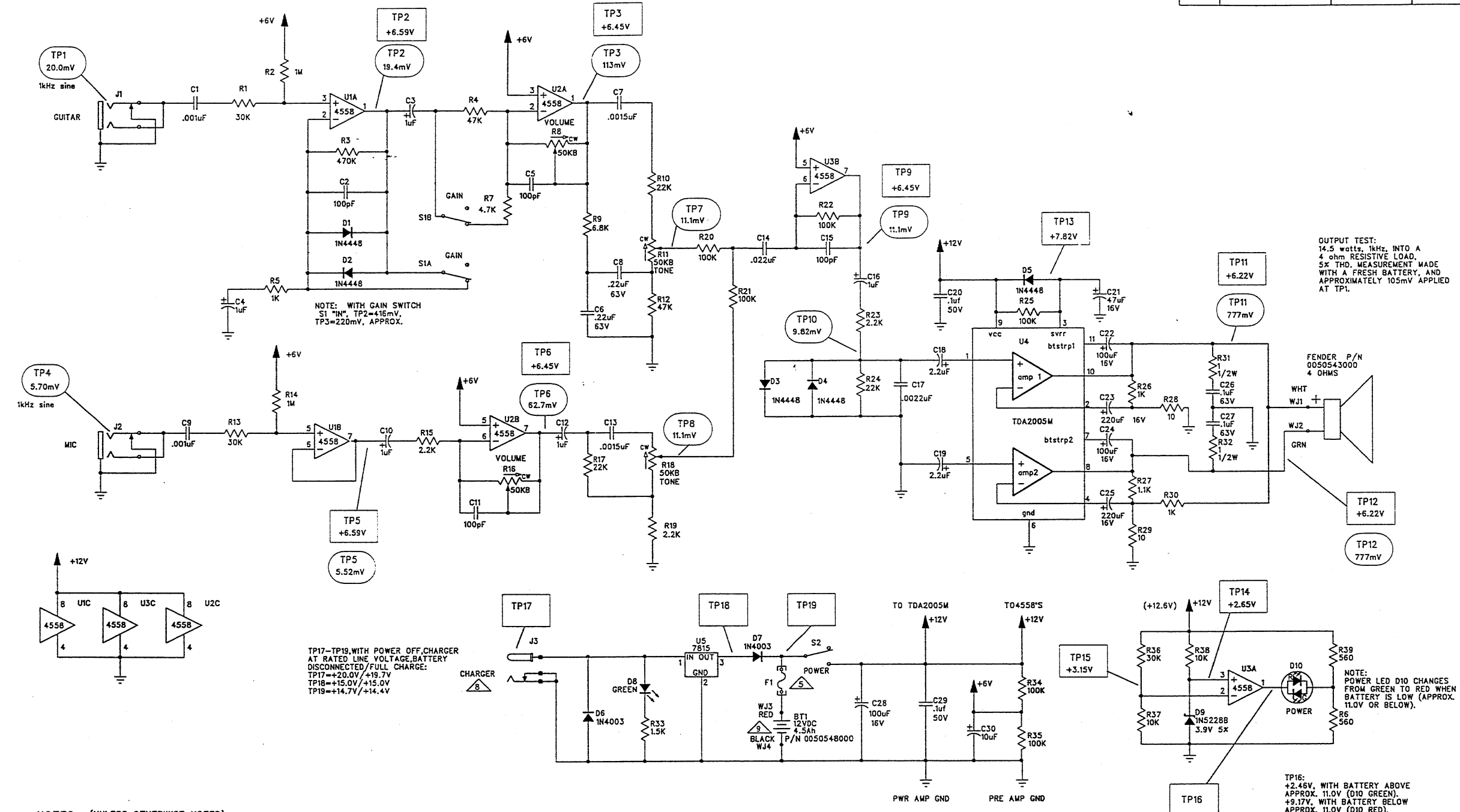


REVISIONS			
REV.	DESCRIPTION	DATE	APPROVED
A	PR327	21-JAN-97	MDW
B	EC1923	14-MAY-97	MDW
C	ECCR124	24-JUL-97	MDW



OUTPUT TEST:
14.5 watts, 1kHz, INTO A
4 ohm RESISTIVE LOAD,
5% THD. MEASUREMENT MADE
WITH A FRESH BATTERY, AND
APPROXIMATELY 105mV APPLIED
AT TP1.

FENDER P/N
0050543000
4 OHMS

NOTE:
POWER LED D10 CHANGES
FROM GREEN TO RED WHEN
BATTERY IS LOW (APPROX.
11.0V OR BELOW).

TP16:
+2.46V, WITH BATTERY ABOVE
APPROX. 11.0V (D10 GREEN).
+9.17V, WITH BATTERY BELOW
APPROX. 11.0V (D10 RED).

NOTE: WITH GAIN SWITCH
S1 "IN", TP2=416mV,
TP3=220mV, APPROX.

TP17-TP19, WITH POWER OFF, CHARGE
AT RATED LINE VOLTAGE, BATTERY
DISCONNECTED/FULL CHARGE:
TP17=+20.0V/+19.7V
TP18=+15.0V/+15.0V
TP19=+14.7V/+14.4V

NOTES: (UNLESS OTHERWISE NOTED)

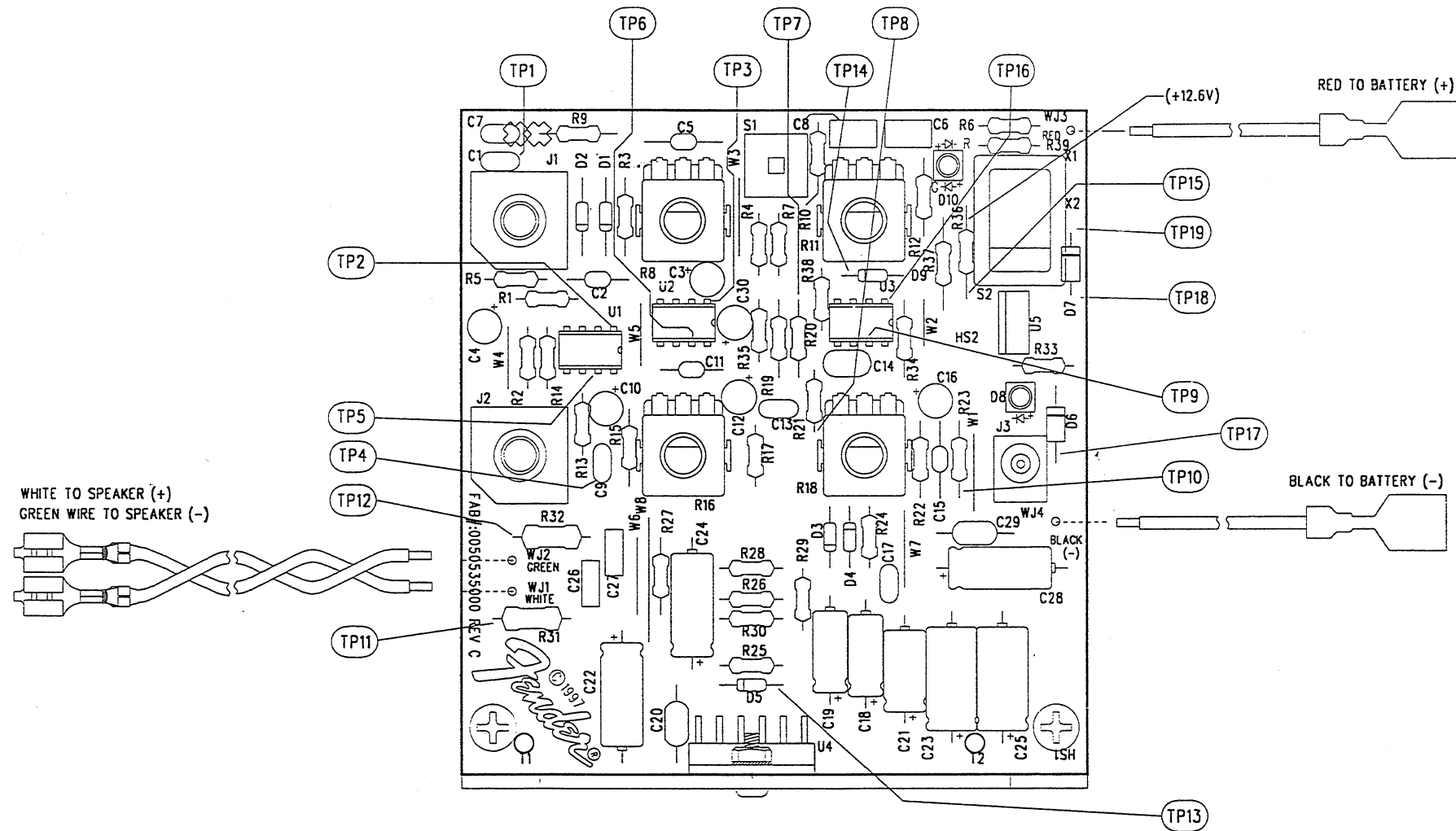
- ALL RESISTORS IN OHMS; 1/4W, 5%.
- ALL UNPOLARIZED CAPACITORS IN uF; 100V, 5%.
- ALL POLARIZED CAPACITORS IN uF; 50V, 20%.
- LAST REFERENCE DESIGNATORS USED:
BT1, C30, D10, FLJ3, R39, S2, U5, WJ4
- F1 IS A NARROWED TRACE IN THE PCB COPPER.
SHOULD TRACE BE BLOWN, REPLACE WITH 30 AWG BUS BAR.
- ALL VOLTAGE MEASUREMENTS MADE WITH RESPECT TO
GROUND USING A TRUE RMS DVM OF 1M ohm AC
INPUT IMPEDANCE AND 10M ohm DC INPUT IMPEDANCE.
VOLTAGES MAY VARY +/- 20%. TESTING CONDITIONS:
FRESH BATTERY (APPROX. 12.6VDC AT IDLE).
ALL DC MEASUREMENTS MADE WITH NO SIGNAL APPLIED.
ALL CONTROLS 50% ROTATION ("5-1/2").
GAIN SWITCH "OUT".
AC SIGNAL APPLIED AS SHOWN AT EITHER TP1 OR TP4, BUT NOT BOTH.

7. TEN-DIGIT PART NUMBERS ARE FENDER PART NUMBERS.

- IMPORTANT: ONLY USE CHARGER ADAPTER SUPPLIED WITH UNIT,
OR A HAZARDOUS CONDITION AND/OR PREMATURE BATTERY CAPACITY
LOSS MAY OCCUR.
- BATTERY MUST BE RECHARGED WHEN VOLTAGE FALLS TO 10.5V,
OR PREMATURE CAPACITY LOSS WILL OCCUR.
SHELF LIFE: 6 MONTHS, STARTING WITH A FRESH BATTERY.

THIS DOCUMENT CONTAINS INFORMATION OF A PROPRIETARY NATURE TO FENDER MUSICAL INSTRUMENTS AND IS SUBMITTED TO YOU IN CONFIDENCE AND SHALL NOT BE DISCLOSED OR TRANSMITTED TO OTHERS WITHOUT AUTHORIZ- ATION FROM FENDER MUSICAL INSTRUMENTS.		Fender MUSICAL INSTRUMENTS 2621 Research Drive Corona, CA 91720 USA	
CHECKED BY: B.DESI CK DATE: 24-JUL-97		TITLE: SERVICE DIAGRAM, AMPCAN	
APPROVED BY: M.WILKENS AP DATE: 24-JUL-97		SIZE	DRAWING NUMBER
DRAWN: BRIAN ENGR: MATT		C	0050534000
FILE: Z327S.SCH		RELEASE DATE: 21-JAN-97	SHEET: 1 OF 2


REVISIONS			
REV.	DESCRIPTION	DATE	APPROVED
A	PR327	21-JAN-97	MDW
B	EC 1923	14-MAY-97	MDW
C	EC CR124	24-JUL-97	MDW



FILM/DWG: SERVICE DIAGRAM
 DATABASE: Z327P.PCB DATE: 24-JUL-97

1. LAST REFERENCE DESIGNATORS USED:
C30,D10,F1,J3,R39,S2,U5,W8,WJ4,TP19.
2. REF DES. F1 IS A NECKED-DOWN
(50 MIL) TRACE AT THE CATHODE OF D7.
SHOULD TRACE BE BLOWN, REPLACE WITH 30 AWG BUS BAR.
3. SEE SHEETS 2 AND 3
(A-SIZE) FOR BOM.

NOTES: (UNLESS OTHERWISE NOTED)

THIS DOCUMENT CONTAINS INFORMATION OF A PROPRIETARY NATURE TO FENDER MUSICAL INSTRUMENTS AND IS SUBMITTED TO YOU IN CONFIDENCE AND SHALL NOT BE DISCLOSED OR TRANSMITTED TO OTHERS WITHOUT AUTHORIZATION FROM FENDER MUSICAL INSTRUMENTS.		 MUSICAL INSTRUMENTS 2621 Research Drive Corona, CA 91720 USA	
CHECKED BY: B. DESI CK DATE: 24-JUL-97		TITLE: SERVICE DIAGRAM AMP CAN	
APPROVED BY: M.WILKENS AP DATE: 24-JUL-97		SIZE: B	DRAWING NUMBER: 0050534000
DRAWN: B.MAZZA ENGR: M.WILKENS		REV. C	
DATABASE FILE: Z327P.PCB		RELEASE DATE: 21-JAN-97	SHEET 2 OF 2